

FOR CONTINUATION SEE
SEE CRS-E-19

FOR CONTINUATION SEE CRS-E-33A

AMENDMENT 2

CONTRACT NO.

DESIGNED	TINKHAM	9-78
DRAWN	MANN	10-78
CHECKED	TINKHAM	11-78
APPROVED	SZCZUR	12-78

REFERENCE DRAWINGS	
NUMBER	DESCRIPTION

REVISIONS		
DATE	BY	DESCRIPTION
5-85	W.T	ADDED ETS
10-89	WPT	ADDED END APPROACH STA.
05-07	VT	CHAIN MARKER # 464,465&467 REVISED

WASHINGTON METROPOLITAN AREA TRANSIT AUTHORITY

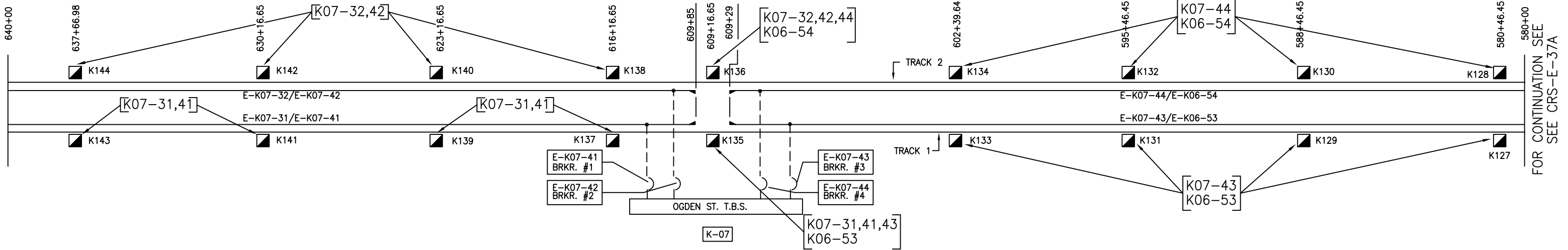
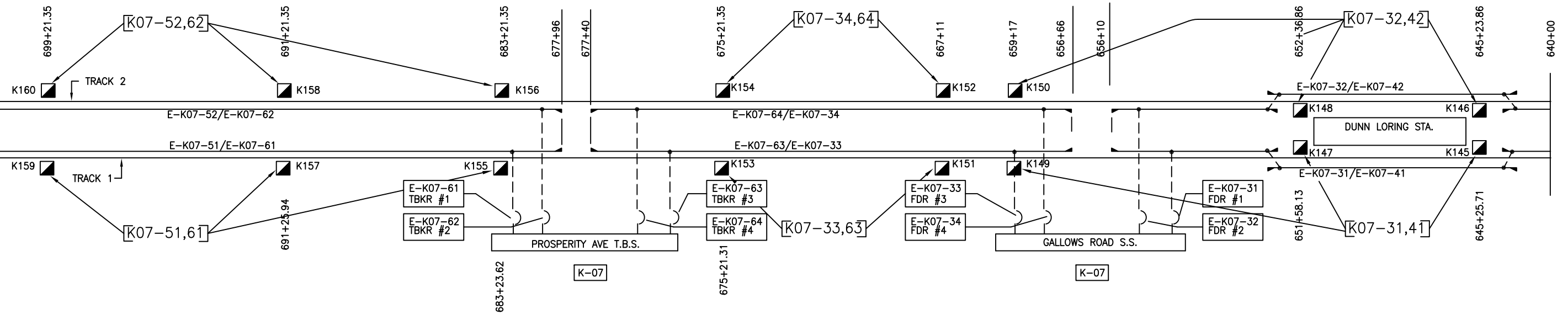
CAPITAL TRANSIT CONSULTANTS
SECTION DESIGNER

SUBMITTED PROJECT MANAGER

TRACTION POWER CONTACT RAIL SCHEMATIC DIAGRAM AND EMERGENCY TRIP STATIONS

SCALE DRAWING NO. CRS-E-33 FQ15237R

FOR CONTINUATION SEE
SEE CRS-E-36



FOR CONTINUATION SEE
SEE CRS-E-37A

AMENDMENT 2

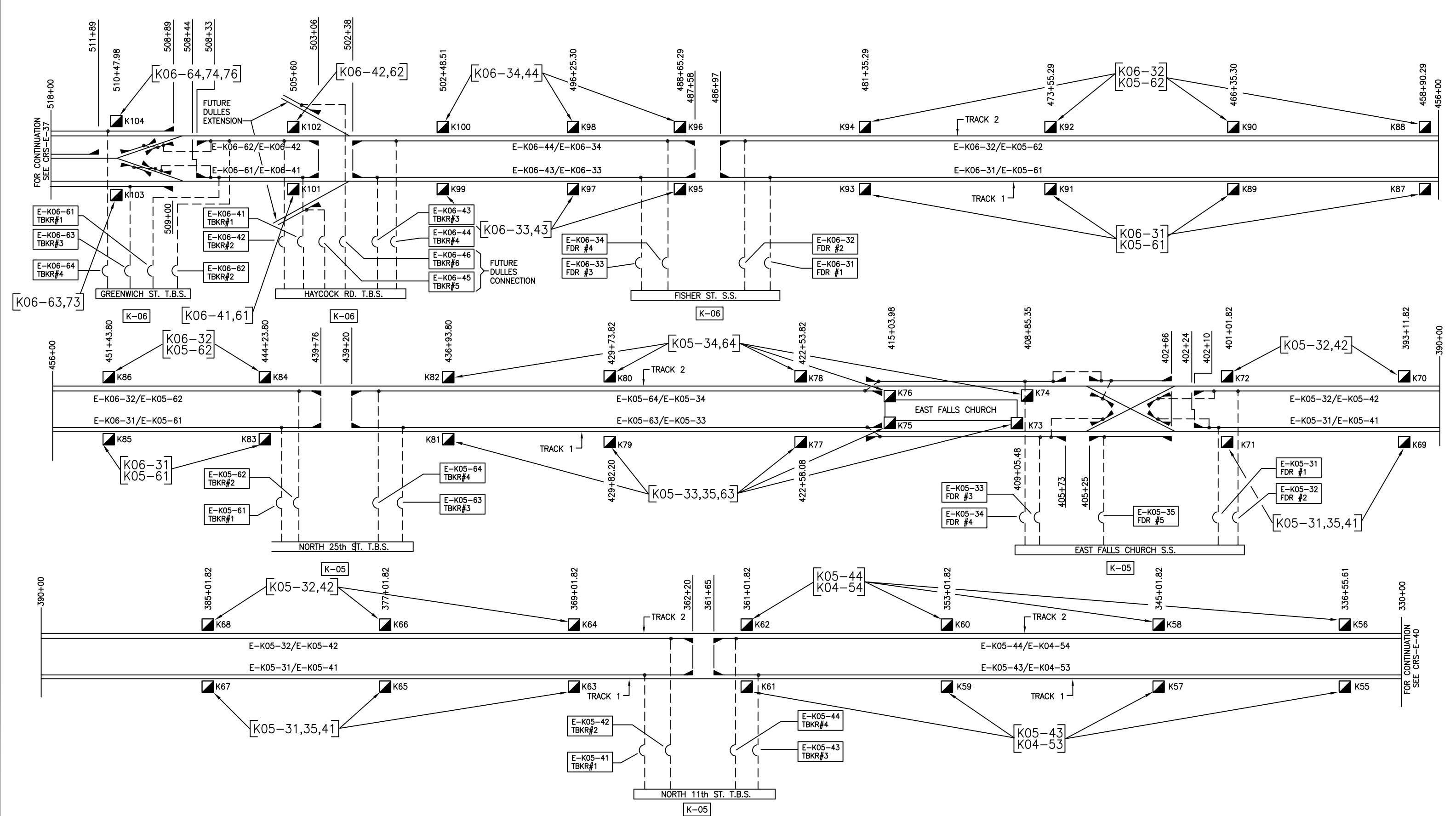
DESIGNED	B. GHORBAN	6-08
DRAWN	R. HOOKER	6-08
CHECKED	D. RAVARRA	6-08
APPROVED	M. QUATTARA	6-08

REFERENCE DRAWINGS	
NUMBER	DESCRIPTION

REVISIONS		
DATE	BY	DESCRIPTION
10-89	WPT	ADDED BUMPING POSTS AND END APPROACH STATION
6-08	MD	ADDED K06/K99 YARD TPSS EXPANSION

WASHINGTON METROPOLITAN AREA TRANSIT AUTHORITY

TRACTION POWER CONTACT RAIL SCHEMATIC DIAGRAM AND EMERGENCY TRIP STATIONS		
SCALE	DRAWING NO.	FQ15237R
	CRS-E-37	



AMENDMENT 2 CONTRACT NO.

DESIGNED	TINKHAM	9-78	REFERENCE DRAWINGS		REVISIONS		
			NUMBER	DESCRIPTION	DATE	BY	DESCRIPTION
DRAWN	MANN	10-78			10-89	W.P.T.	ADDED END APPROACH STA
CHECKED	TINKHAM	11-78					
APPROVED	SZCZUR	12-78					

WASHINGTON METROPOLITAN AREA TRANSIT AUTHORITY

CAPITAL TRANSIT CONSULTANTS
SECTION DESIGNER

SUBMITTED PROJECT MANAGER

TRACTION POWER CONTACT RAIL SCHEMATIC DIAGRAM AND EMERGENCY TRIP STATIONS

SCALE DRAWING NO. **CRS-E-39**

FQ15237R